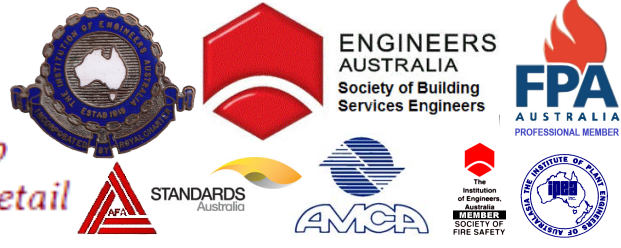


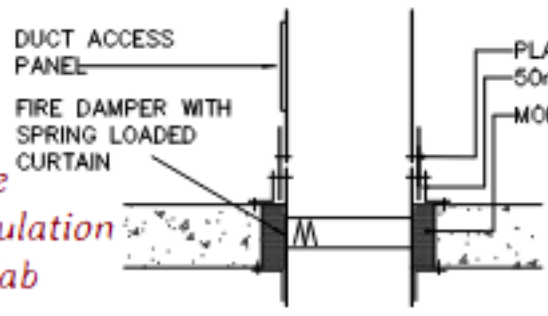
Deficient - no breakaway detail

Deficient and without lap details

VERTICAL FIRE DAMPER
N.T.S.



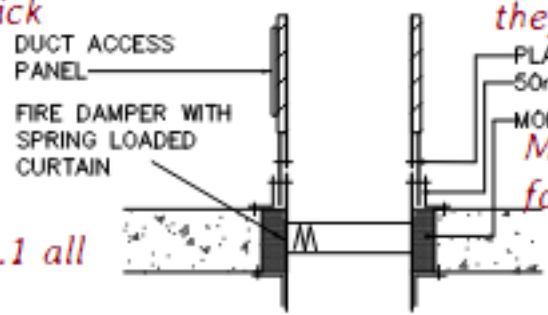
Where is the required insulation above the slab



Rivots - it's rivets
Mortar is a forbidden infill

HORIZONTAL FIRE DAMPER IN SLAB
N.T.S.

How does this give not less than 2m 50mm thick 1000 degC rockwool insulation as required by AS/NZS1668.1 all versions



Rivots - it's rivets & they'd be aluminium
Mortar infill is forbidden

HORIZONTAL FIRE DAMPER IN SLAB WITH INSULATED DUCT
N.T.S.

Consulting Engineers so often get it wrong - if you know it's wrong / Query it as a minimum and refuse to Certify

How Not to Instal Fire Dampers

extract from a tier 1 Mechanical Engineer's design drawing.